

Rapid Y Connection Fitting

With its large internal boring and flow-friendly design, NAVAC's Rapid-Y facilitates significantly faster and more efficient evacuation times when connect more hoses to pump system. When it comes to the recovery process, in conjunction with NAVAC's large diameter hoses and core removal tools, the Rapid-Y is the final piece in "ditching the manifold" to gain dramatic recovery speed.

Leading Technology, Superior Quality, Best Experience.
Empowering You to Work Smarter



Evacuation & Recovery



F1029



F1028

No Assembly • Less Turbulence • More Flow

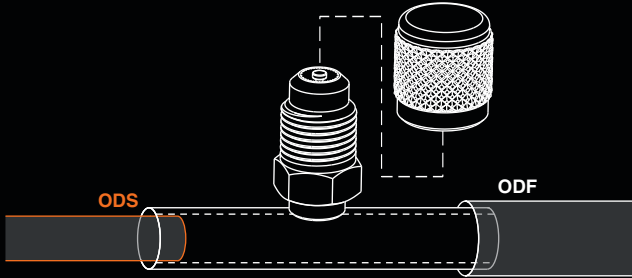
- Single-piece solid brass construction
- Vacuum rated to 20 microns
- Large internal boring for maximum flow and minimal resistance

Part No.	Fitting Configuration	Qty
F1028	2 x 3/8" MPT to 1x 3/8" FPT	1 pack
F1029	2 x 3/8" MPT to 1x 1/4" FPT	1 pack

1-YEAR WARRANTY

Slip Fit Copper Braze Tee

- 1/4" Male SAE Access Valve with valve core

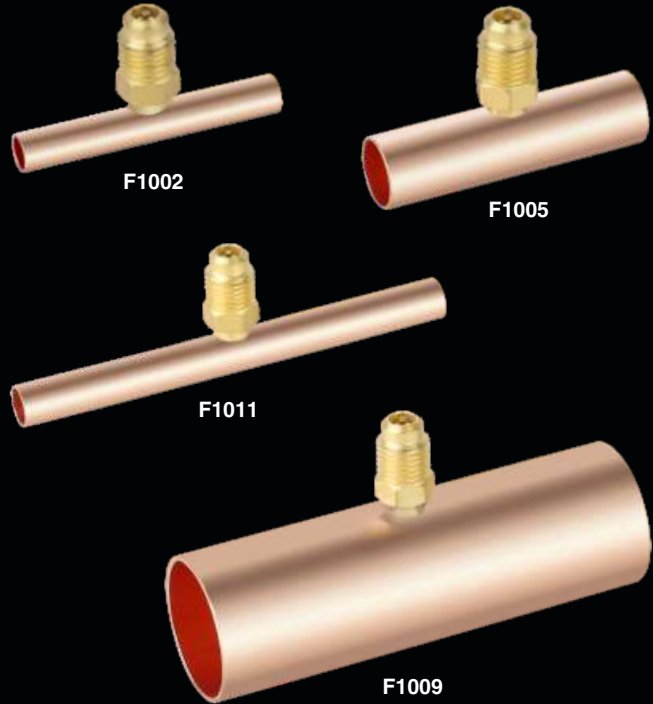


ODS = Outside Diameter Solder

ODF = Outside Diameter Female

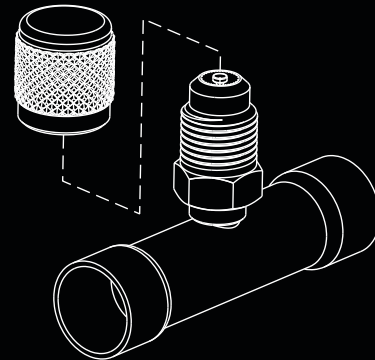
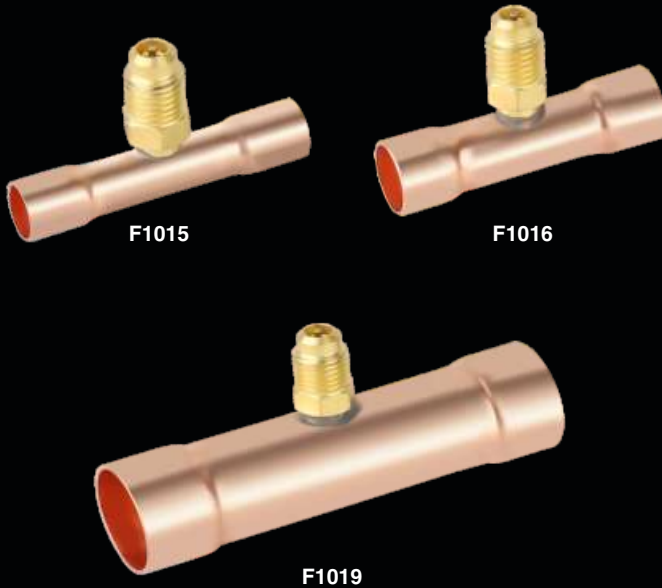
Part No.	Fitting Configuration	Length	Qty
F1002	1/4" ODS x 5/16" ODF	2-1/8"	3 pack
F1003	5/16" ODS x 3/8" ODF	2-1/8"	3 pack
F1004	3/8" ODS x 1/2" ODF	2-1/8"	3 pack
F1005	1/2" ODS	2-1/8"	3 pack
F1006	5/8" ODS	2-1/2"	1 pack
F1007	3/4" ODS	3"	1 pack
F1008	7/8" ODS	3-1/2"	1 pack
F1009	1-1/8" ODS	3-13/16"	1 pack
F1011	1/4" ODS x 5/16" ODF	4"	2 pack

1-YEAR WARRANTY



Swaged Copper Braze Tee

- 1/4" Male SAE Access Valve with valve core
- Braze cups on both ends



Part No.	Fitting Configuration	Length	Qty
F1015	3/8" OD	2-1/8"	3 pack
F1016	1/2" OD	2-1/8"	3 pack
F1019	7/8" OD	3-1/2"	1 pack

1-YEAR WARRANTY

1/4" Access Tee Connector with Flare Nut

- Includes (1) core and (1) cap



F1022

F1023

F1024

F1025

F1027

Part No.	Fitting Configuration	Depressor	Swivel Nut	Qty
F1022	1/4" SAE x 1/4" FPT SAE Swivel	Yes	On Run	3 pack
F1023	1/4" SAE x 1/4" FPT SAE Swivel	Yes	On Branch	3 pack
F1024	3/8" SAE x 3/8" FPT SAE Swivel	No	On Run	1 pack
F1025	1/4" SAE x 1/4" FPT SAE Swivel	No	On Branch	3 pack
F1027	1/4" SAE x 1/4" FPT SAE Swivel	No	On Run	3 pack

1-YEAR WARRANTY

1/4" Access Tee Connector

- 1/4" SAE male
x 1/4" SAE female with depressor
x 1/4" SAE male
- Includes (1) core and (1) cap



Part No.	Fitting Configuration	Qty
F1030	1/4" SAE M x 1/4" SAE FE x 1/4" SAE M	2 pack

1-YEAR WARRANTY

Backseat Control Valve

- 1/4" SAE x 1/4" O-Ring Connector



Part No.	Fitting Configuration	Qty
F1031	1/4" SAE M x 1/4" O-Ring Coupler	1 pack

1-YEAR WARRANTY

Copper Tube Extension

- 1/4" Access Valve



F1042

F1044

F1046

F1048

Part No.	Fitting Configuration	Qty
F1042	1/8" OD	5 pack
F1043	3/16" OD x 1/8" ID	5 pack
F1044	1/4" OD x 3/16" ID	5 pack
F1045	5/16" OD x 1/4" ID	5 pack
F1046	3/8" OD x 5/16" ID	5 pack
F1048	1/2" OD	3 pack

1-YEAR WARRANTY



Empowering you to work smarter

Quick Coupler SAE Female Adapter



Part No.	Fitting Configuration	Qty
F2001	1/4" SAE M x 5/16" SAE FE	1 pack
F2002	5/16" SAE M x 1/4" SAE FE	1 pack

1-YEAR WARRANTY

Liquid Charging Adapter



Part No.	Fitting Configuration	Qty
F2008	1/4" SAE M x 1/4" SAE FE	1 pack
F2009	5/16" SAE M x 5/16" SAE FE	1 pack

1-YEAR WARRANTY

Swivel Female Flare x Solder Adapter



Part No.	Fitting Configuration	Qty
F2003	1/4" SAE FE x 1/4" OD	4 pack
F2004	3/8" SAE FE x 3/8" OD	4 pack
F2005	1/2" SAE FE x 1/2" OD	4 pack
F2006	5/8" SAE FE x 5/8" OD	2 pack
F2007	3/4" SAE FE x 3/4" OD	2 pack

1-YEAR WARRANTY

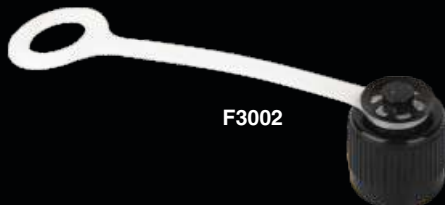
A2L Adaptor for LH A2L Refrigerant Tanks



Part No.	Fitting Configuration	Qty
F2010	1/4" LH FPT x 1/4" MPT	1 pack

1-YEAR WARRANTY

1/4" SAE Caps



F3002

F3005, F3007

Part No.	Description	Qty
F3002	1/4" SAE Plastic Cap with Gasket	5 pack
F3005	1/4" SAE Brass Cap with O-Ring	10 pack
F3007	3/8" SAE Brass Cap with Gasket	3 pack

1-YEAR WARRANTY

Valve Core Accessories



F9001



F9007



F9011



F9013

Part No.	Description	Qty
F9001	1/4" Valve Cores	5 pack
F9007	1/4" Hose Gaskets	10 pack
F9011	NVR1 Valve Core Removal Tool Rebuild Kit	2 sets
F9013	Brass Core Depressors for Hoses	10 pack

1-YEAR WARRANTY

Adapters



FH1214



FH1238



FH12K1



FH12K2



FHK1K2

Part No.	Description	Qty
FH1214	Flare Connector 1/2" MPT to 1/4" MPT	5 pack
FH1238	Flare Connector 1/2" MPT to 3/8" MPT	5 pack
FH12K1	Connector Assembly 1/2" MPT to KF16	1 pack
FH12K2	Stainless Steel Connector 1/2" MPT to KF25	1 pack
FHK1K2	Stainless Steel Connector KF16 to KF25 Adapter	1 pack

1-YEAR WARRANTY

FHH4

4 Port Hose Hanger, 1/4", 1/4", 1/2", 3/8"

Innovative Hose Organizer for Professional Technicians

- Supporting professional hose management, only hanger to hold multiple hoses
- Premium metal material, built to last
- Modern finish for sleek aesthetic
- Light weight at 0.15 lbs
- Suitable for multi-sized fittings

Leading Technology, Superior Quality, Best Experience.

Empowering You to Work Smarter

4 PORT



Part No.	Description	Qty
FHH4	4 Port Hose Holder, 1/4", 1/4", 1/2", 3/8"	1 pack

1-YEAR WARRANTY