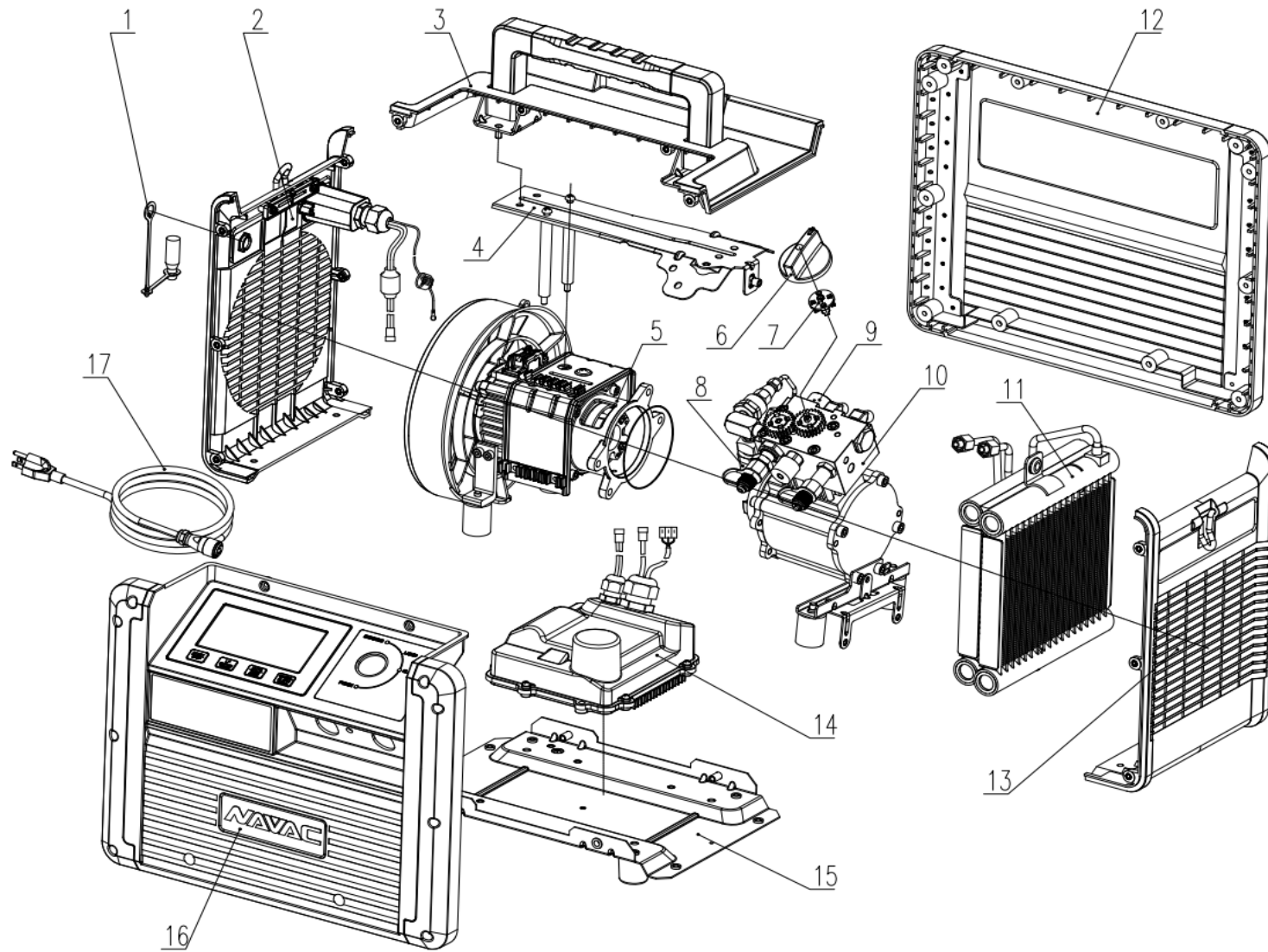


NRDDF Parts Diagram



Ref No.	Part No.	Part Names
1	NDF0001	OFP Adaptor
2	NDF0002	Left Side plate
3	NDF0003	Top Plate
4	NDF0004	Handle Support
5	NDF0005	Motor Assembly
6	DD24007	Knob
7	NDF0007	Knob extension rod
8	NDF0008	Low pressure sensor
9	NDF0009	High pressure sensor
10	NDF0010	Compressor Assembly
11	NDF0011	Condenser
12	NDF0012	Rear Plate
13	NDF0013	Right plate
14	NDF0014	Motor Drive Board
15	NDF0015	Base
16	NDF0016	Front plate
17	NDF0017	Power cord