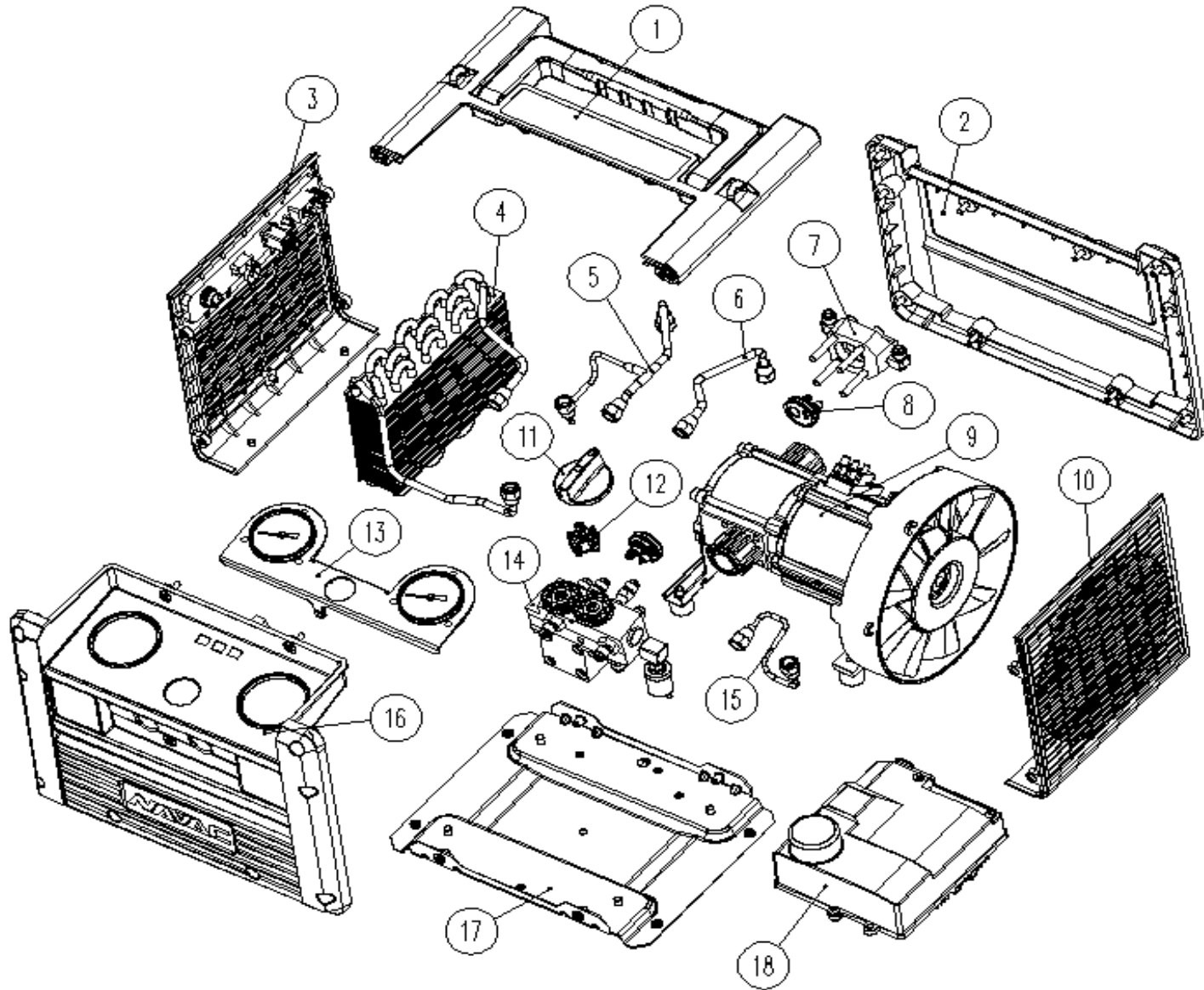


NR7 Parts Diagram



Ref No.	Part No.	Description
1	NR70001	Top panel
2	NR70002	Rear panel
3	NR70003	Left side panel
4	NR70004	Condenser
5	NR70005	Input pipe
6	NR70006	Output pipe
7	NR70007	Cylinder cover
8	NR70008	Valve Assembly.
9	NR70009	Compressor Assembly
10	NR70010	Right side panel
11	DD24007	Knob
12	NR70012	Knob transition lever
13	NR70013	Gauge Assembly
14	NR70014	Control
15	NR70015	High pressure gauge copper pipe
16	NR70016	Front side panel
17	NR70017	Base
18	NR70018	Motor control PCB