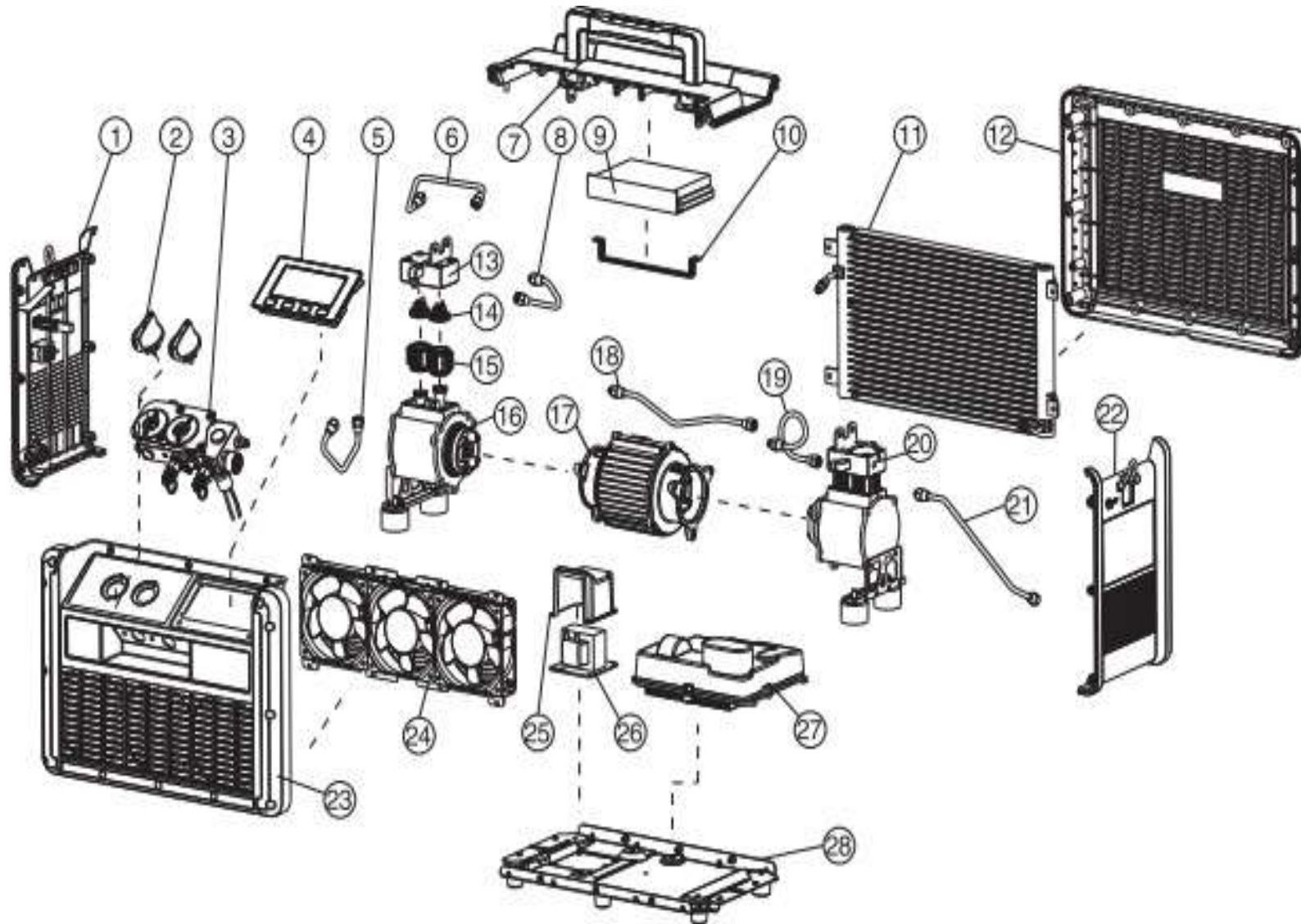


# NRDC4M Parts Diagram



Ref No.	Part No.	Description
1	RD4001	Left side plate
2	RD4002	Knob
3	RD4003	Control Panel
4	RD4004	Digital Control Board
5	RD4005	Inlet Tube
6	RD4006	Condenser Inlet Tube
7	RD4007	Top Plate
8	RD4008	Outlet Tube
9	RD4009	Power supply for Fan
10	RD4010	Cover Board
11	RD4011	Condenser
12	RD4012	Rear Side Plate
13	RD4013	Cylinder cover
14	DD24013	Valve
15	RD4015	Cylinder
16	RD4016-1	Piston Ring
	RD4016-2	Piston Ring plate
	RD4016-3	Compressor
17	RD4017	Motor (Not Available)
18	RD4018	Inlet Tube
19	RD4019	Outlet Tube
20	RD4020	Cylinder cover
21	RD4021	Condenser Outlet Tube
22	RD4022	Right side Plate
23	RD4023	Front Plate
24	RD4024-1	Side Fan
	RD4024-2	Middle
25	RD4025	Cover Board
26	RD4026	Transformer
27	RD4027	Motor Control
28	RD4028	Base