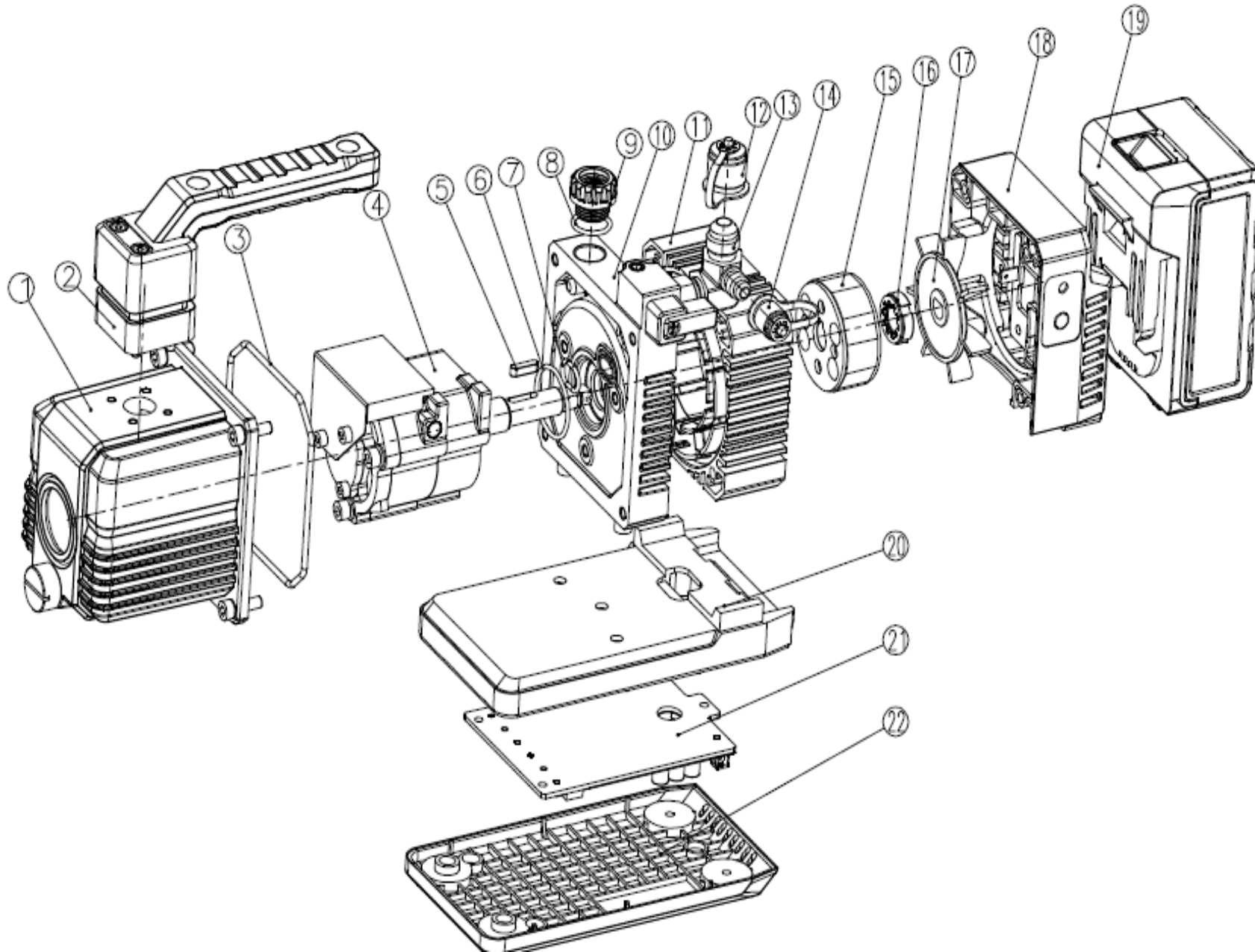


NP2DLM Parts Diagram



| Ref No. | Part No. | Description |
|-----------|----------|---|
| 1 | P02001 | Oil Sump |
| 2 | P02002 | Handle Assy |
| 3 | P02003 | O-ring (Oil Sump) |
| 4 | P02004 | Not Available please order Pump Rebuild Kit below |
| 5 | P02005 | Key |
| 6 | P02006 | O-ring |
| 7 | P02007 | O-ring |
| 8 | P02008 | O-ring (Oil Fill Cap) |
| 9 | P02009 | Oil Fill Cap |
| 10 | P02010 | Trestle |
| 11 | P02011 | Stator |
| 12 | P02012 | 3/8" Cap |
| 13 | P02013 | Inlet Port |
| 14 | P02014 | 1/4" Cap |
| 15 | P02015 | Rotor (Not Available) |
| 16 | P02016 | Nut |
| 17 | P02017 | Fan Blade |
| 18 | P02018 | Rear Cover Assy |
| 19 | NB1/NBP2 | 5.0Ah/9.0Ah Battery Pack |
| 20 | P02020 | Base Plate |
| 21 | P02021 | Controller Assy |
| 22 | P02022 | Cover Plate |
| Not Shown | P02023 | Carrying Bag |
| Not Shown | NC1 | Charger |
| Not Shown | NKR-2DL | Pump Rebuild Kit |
| Not Shown | RC16038 | Oil Drain Cap |