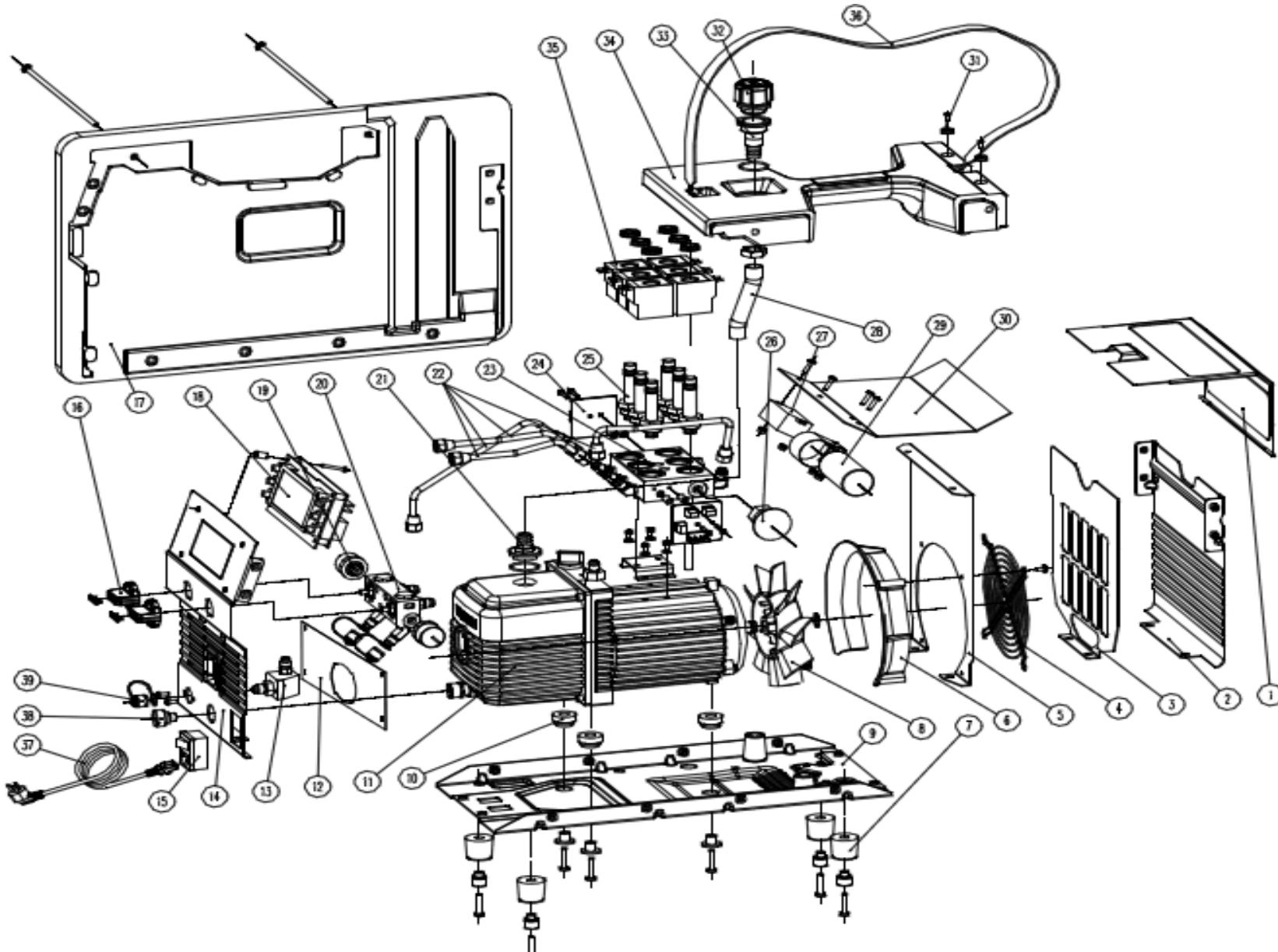


NRC62i Parts Diagram



Ref No.	Part No.	Description
1	RC16001	Cover Board
2	RC16002	Back Board
3	RC16003	Septum
4	RC16004	Fan Protection Net
5	RC16005	Septum
6	RC16006	Wind Scooper
7	RC16007	Rubber Feet
8	RC16008	Fan
9	RC16009	Base Plate Assy
10	RC16010	Rubber Buffer
11	RC16011	Vacuum Pump
12	RC16012	Dustproof Screen
13	RC16013	Non-Return Valve Assy
14	RC16014	Front Plate Assy
15	RC16015	Power Socket
16	RC16016	Knob Assy
17	RC16017	Left/Right Shell
18	RC16018	Control Panel Assy
19	RC16019	Pressure Sensor Assy
20	RC16020	Check Valve Assy
21	RC16021	Connecting Base
22	RC16022	Copper Pipes Assy
23	RC16023	Valve Body Assy
24	RC16024	Solenoid Valve Connecting Plate
25	RC16025	Iron Core Assy
26	RC16026	Vacuum Sensor Assy
27	RC16027	Electronic Starter
28	RC16028	Oil Housing Conduit
29	RC16029	Starting Capacitor
30	RC16030	Plate
31	RC16031	Magnet
32	RC16032	Exhaust Filter and NoiseReducer Assy
33	RC16033	Connecting Base
34	RC16034	Handle Assy
35	RC16035	Solenoid Valve Winding
36	RC16036	Strap
37	RC16037	Power Cord
38	RC16038	Oil Drain Cap
39	RC16039	Valve Cap Assy
Not Shown	RC16040	1/4" - 5/16" Adapter