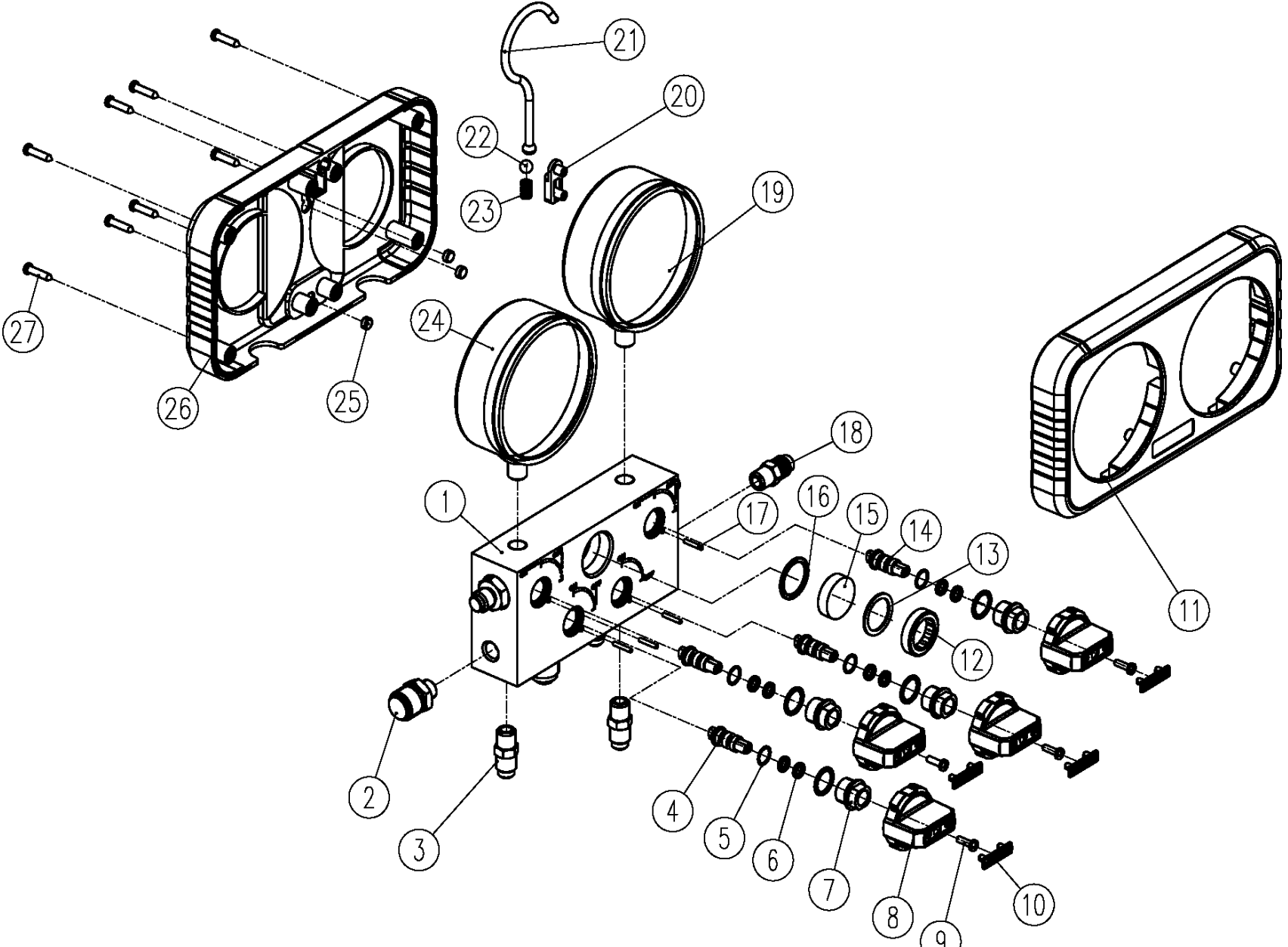


# N4A3H Parts Diagram



Ref No.	Part No.	Description
1	MA04001	Valve Assy
2	MA04002	Connector
3	MA04003	Connector
4	MA04004	Rod
5	MA04005	Gasket
6	MA04006	O-ring
7	MA04007	Rod Seat
8	MA04008	Knob
9	MA04009	Screw
10	MA04010	Cap
11	MA04011	Front Cover
12	MA04012	Nut
13	MA04013	Gasket
14	MA04014	Rod
15	MA04015	Lens
16	MA04016	O-ring
17	MA04017	Pin
18	MA04018	Connector
19	MA04019	HP Gauge
20	MA04020	Fixer
21	MA04021	Hook
22	MA04022	Steel Ball
23	MA04023	Spring
24	MA04024	LP Gauge
25	MA04025	Magnet
26	MA04026	Rear Cover
27	MA04027	Screw
Not Shown	RC16040	1/4" - 5/16" Adapter