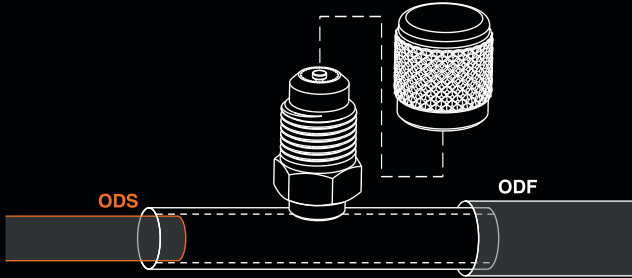


## Slip Fit Copper Braze Tee

- 1/4" Male SAE Access Valve with valve core

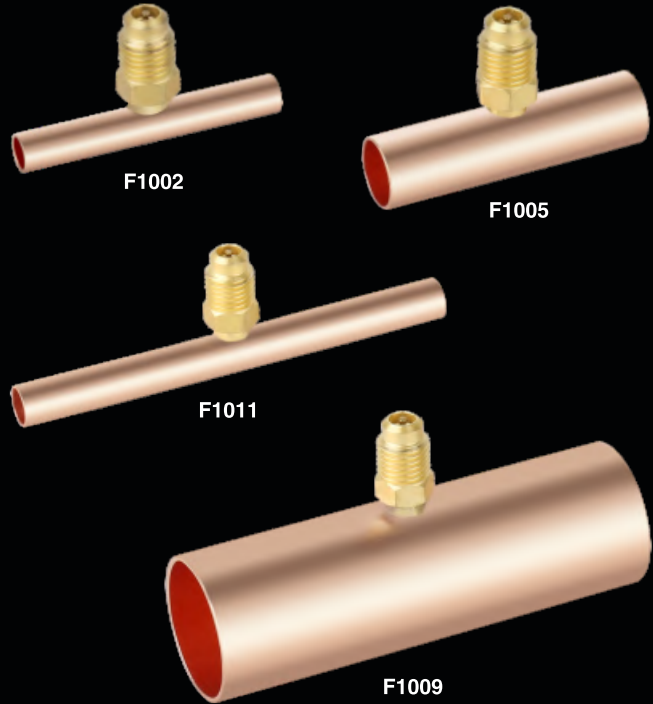


ODS = Outside Diameter Solder

ODF = Outside Diameter Female

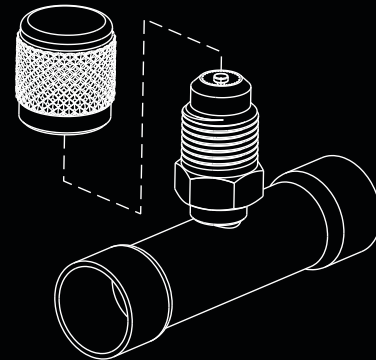
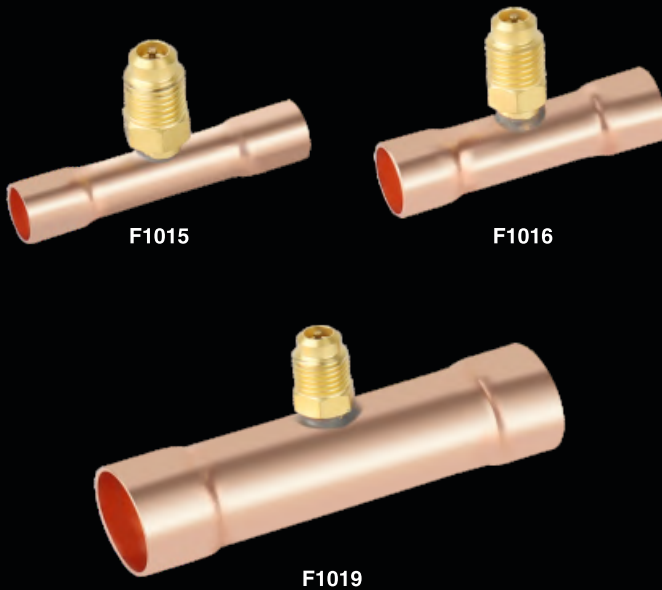
Part No.	Fit Configuration	Length	Qty
F1002	1/4" ODS x 5/16" ODF	2-1/8"	3 pack
F1003	5/16" ODS x 3/8" ODF	2-1/8"	3 pack
F1004	3/8" ODS x 1/2" ODF	2-1/8"	3 pack
F1005	1/2" ODS	2-1/8"	3 pack
F1006	5/8" ODS	2-1/2"	1 pack
F1007	3/4" ODS	3"	1 pack
F1008	7/8" ODS	3-1/2"	1 pack
F1009	1-1/8" ODS	3-13/16"	1 pack
F1011	1/4" ODS x 5/16" ODF	4"	2 pack

**1-YEAR WARRANTY**



## Swaged Copper Braze Tee

- 1/4" Male SAE Access Valve with valve core
- Braze cups on both ends



Part No.	Fit Configuration	Length	Qty
F1015	3/8" OD	2-1/8"	3 pack
F1016	1/2" OD	2-1/8"	3 pack
F1019	7/8" OD	3-1/2"	1 pack

**1-YEAR WARRANTY**

## 1/4" Access Tee Connector with Flare Nut

- Includes (1) core and (1) cap



F1022

F1023

F1024

F1025

F1027

Part No.	Fit Configuration	Depressor	Swivel Nut	Qty
F1022	1/4" SAE x 1/4" FE SAE Swivel	Yes	On Run	3 pack
F1023	1/4" SAE x 1/4" FE SAE Swivel	Yes	On Branch	3 pack
F1024	3/8" SAE x 3/8" FE SAE Swivel	No	On Run	1 pack
F1025	1/4" SAE x 1/4" FE SAE Swivel	No	On Branch	3 pack
F1027	1/4" SAE x 1/4" FE SAE Swivel	No	On Run	3 pack

**1-YEAR WARRANTY**

## 1/4" Access Tee Connector

- 1/4" SAE male  
x 1/4" SAE female with depressor  
x 1/4" SAE male
- Includes (1) core and (1) cap



Part No.	Fit Configuration	Qty
F1030	1/4" SAE M x 1/4" SAE FE x 1/4" SAE M	2 pack

**1-YEAR WARRANTY**

## Backseat Control Valve

- 1/4" SAE x 1/4" O-Ring Connector



Part No.	Fit Configuration	Qty
F1031	1/4" SAE M x 1/4" O-Ring Coupler	1 pack

**1-YEAR WARRANTY**

## Quick Coupler SAE Female Adapter



Part No.	Fit Configuration	Qty
F2001	1/4" SAE M x 5/16" SAE FE	1 pack
F2002	5/16" SAE M x 1/4" SAE FE	1 pack

**1-YEAR WARRANTY**

## Swivel Female Flare x Solder Adapter



Part No.	Fit Configuration	Qty
F2003	1/4" SAE FE x 1/4" OD	4 pack
F2004	3/8" SAE FE x 3/8" OD	4 pack
F2005	1/2" SAE FE x 1/2" OD	4 pack
F2006	5/8" SAE FE x 5/8" OD	2 pack
F2007	3/4" SAE FE x 3/4" OD	2 pack

**1-YEAR WARRANTY**

## Liquid Charging Adapter



Part No.	Fit Configuration	Qty
F2008	1/4" SAE M x 1/4" SAE FE	1 pack
F2009	5/16" SAE M x 5/16" SAE FE	1 pack

**1-YEAR WARRANTY**



Empowering you to work smarter

## Rapid Y Connection Fitting

With its large internal boring and flow-friendly design, NAVAC's Rapid-Y facilitates significantly faster and more efficient evacuation times when connect more hoses to pump system. When it comes to the recovery process, in conjunction with NAVAC's large diameter hoses and core removal tools, the Rapid-Y is the final piece in "ditching the manifold" to gain dramatic recovery speed.

Leading Technology, Superior Quality, Best Experience.

**Empowering You to Work Smarter**

### Evacuation & Recovery

- One-piece solid brass construction
- Vacuum rated to 20 microns
- Large internal boring for maximum flow and minimal resistance



F1029

F1028

Part No.	Fit Configuration	Qty
F1028	2 x 3/8" M to 1x 3/8" FE	1 pack
F1029	2 x 3/8" M to 1x 1/4" FE	1 pack

**1-YEAR WARRANTY**

## 1/4" SAE Caps



F1022

F3005, F3007

Part No.	Description	Qty
F3002	1/4" SAE Plastic Cap with Gasket	5 pack
F3005	1/4" SAE Brass Cap with O-Ring	10 pack
F3007	3/8" SAE Brass Cap with Gasket	3 pack

**1-YEAR WARRANTY**

## Valve Core Accessories



F9001

F9007

F9011

F9013

Part No.	Description	Qty
F9001	1/4" Valve Cores	5 pack
F9007	1/4" Hose Gaskets	10 pack
F9011	NVR1 Valve Core Removal Tool Rebuild Kit	2 sets
F9013	Brass Core Depressors for Hoses	10 pack

**1-YEAR WARRANTY**