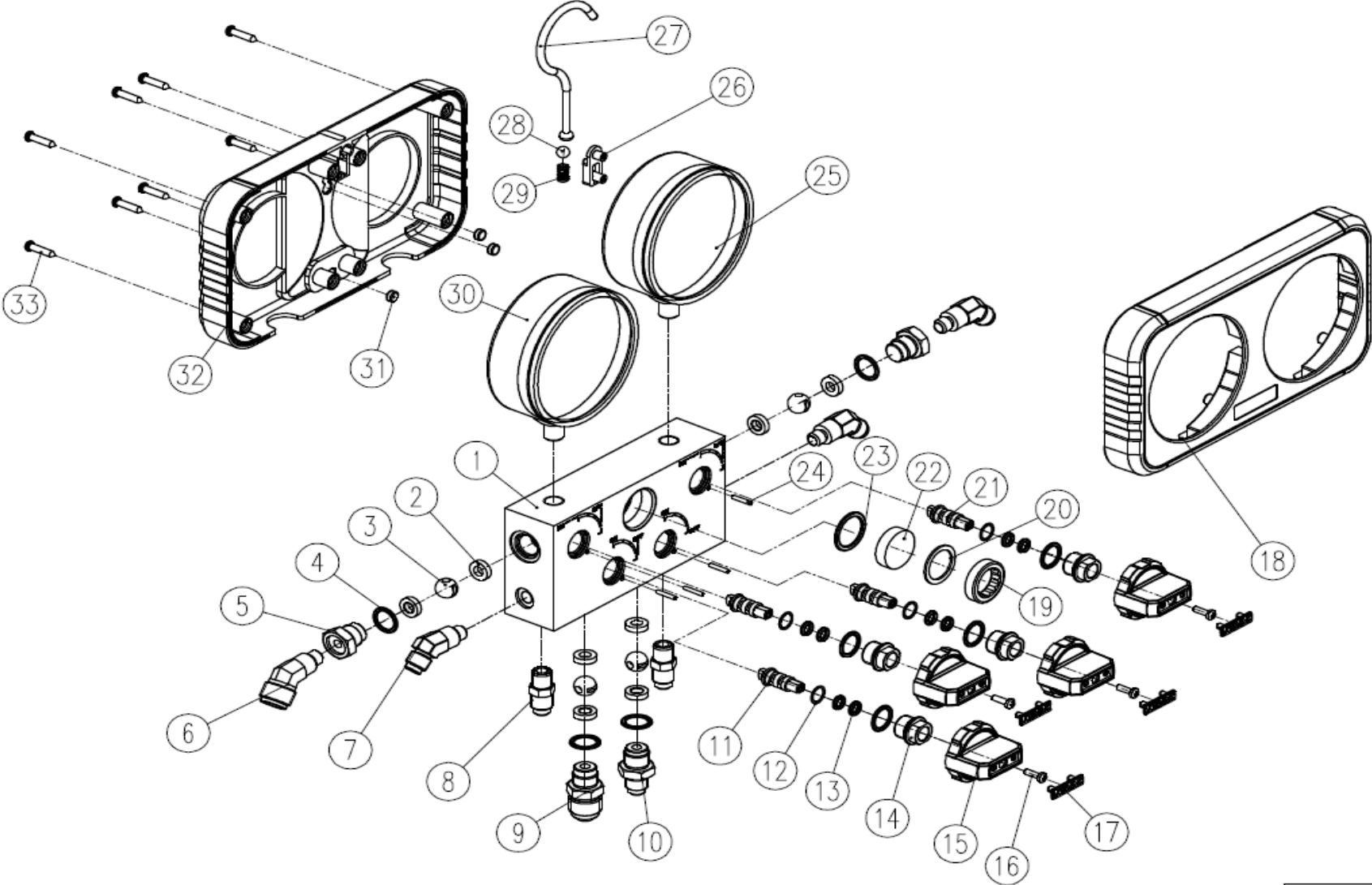


# N4A4H Parts Diagram



Ref No.	Part No.	Description
1	MA04D001	Valve Block
2	MA04D002	White Washer
3	MA04D003	Valve Ball
4	MA04D004	O-Ring
5	MA04D005	Brass Connector
6	MA04D006	Inlet Port
7	MA04D007	Dead port
8	MA04D008	Gauge connector
9	MA04D009	Connector VII
10	MA04D010	connector IV
11	MA04D011	Revolving bar
12	MA04D012	Gasket
13	MA04D013	O ring
14	MA04D014	Revolving bar seat
15	MA04D015	Knob
16	MA04D016	Screw M3*10
17	MA04D017	Knob cover
18	MA04D018	Front cover
19	MA04D019	Gland nut
20	MA04D020	Gasket
21	MA04D021	Revolving bar
22	MA04D022	sight glass
23	MA04D023	O ring
24	MA04D024	Round pin
25	MA04D025	High pressure gauge
26	MA04D026	Fixed block
27	MA04D027	Hook
28	MA04D028	steel ball
29	MA04D029	Spring
30	MA04D030	Low pressure gauge
31	MA04D031	Magnet
32	MA04D032	Back cover
33	MA04D033	Bolt