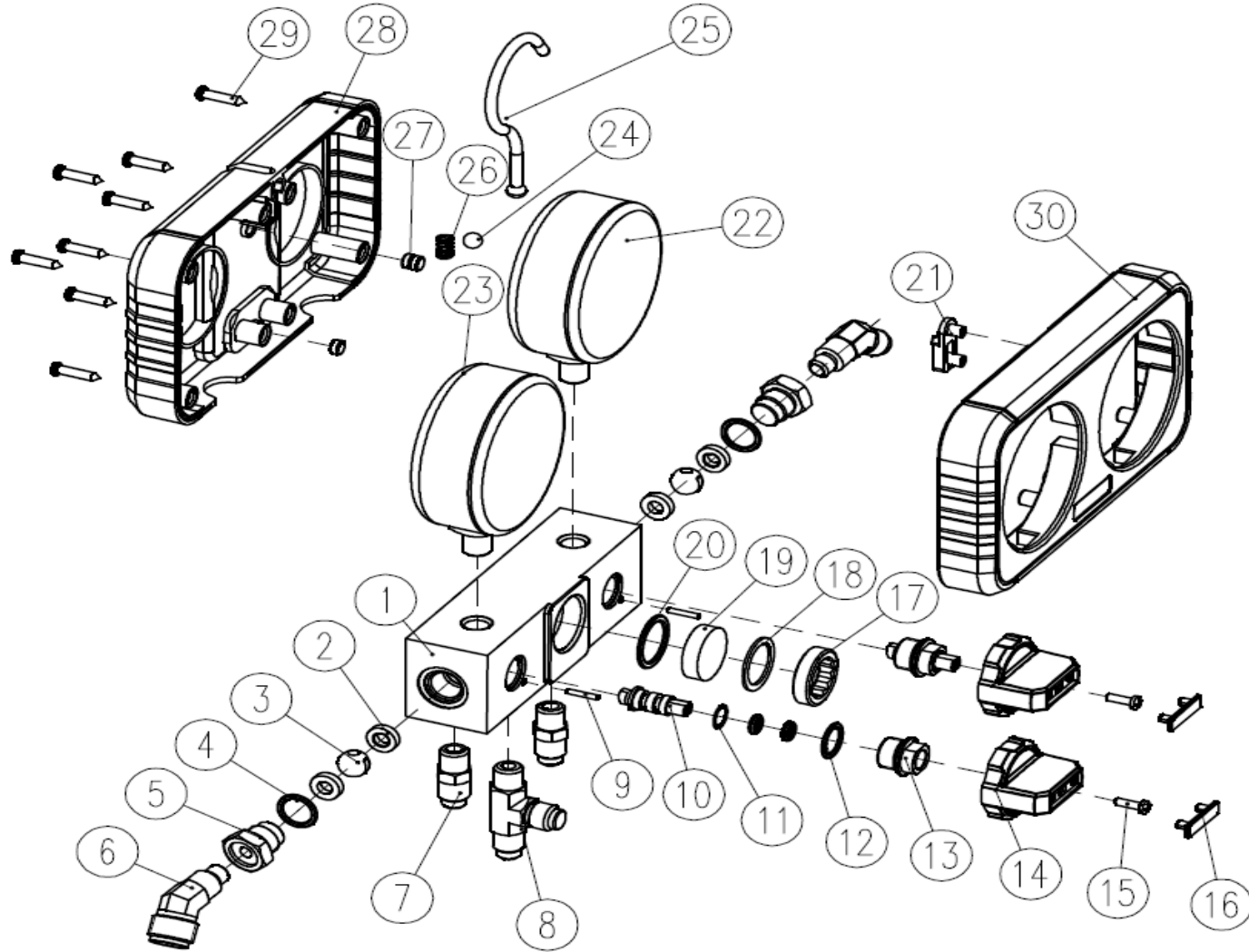


N2A4 Parts Diagram



Ref No.	Part No.	Description
1	MA02001	Valve Assy
2	MA02002	Plastic gasket
3	MA02003	Ball
4	MA02004	O-ring
5	MA02005	Connector
6	MA02006	Angled Dead Port
7	MA02007	Gauge connector
8	MA02008	T connector
9	MA02009	Round Pin
10	MA02010	Revolving bar
11	MA02011	Gasket
12	MA02012	O-ring
13	MA02013	Revolving bar seat
14	MA02014	Knob
15	MA02015	Screw
16	MA02016	Knob cover
17	MA02017	Gland nut
18	MA02018	Gasket
19	MA02019	Gland nut
20	MA02020	O-ring
21	MA02021	Fixed block
22	MA02022	High pressure gauge
23	MA02023	Low pressure gauge
24	MA02024	Steel ball
25	MA02025	Hook
26	MA02026	Spring
27	MA02027	Magnet
28	MA02028	Back cover
29	MA02029	Bolt
30	MA02030	Front cover