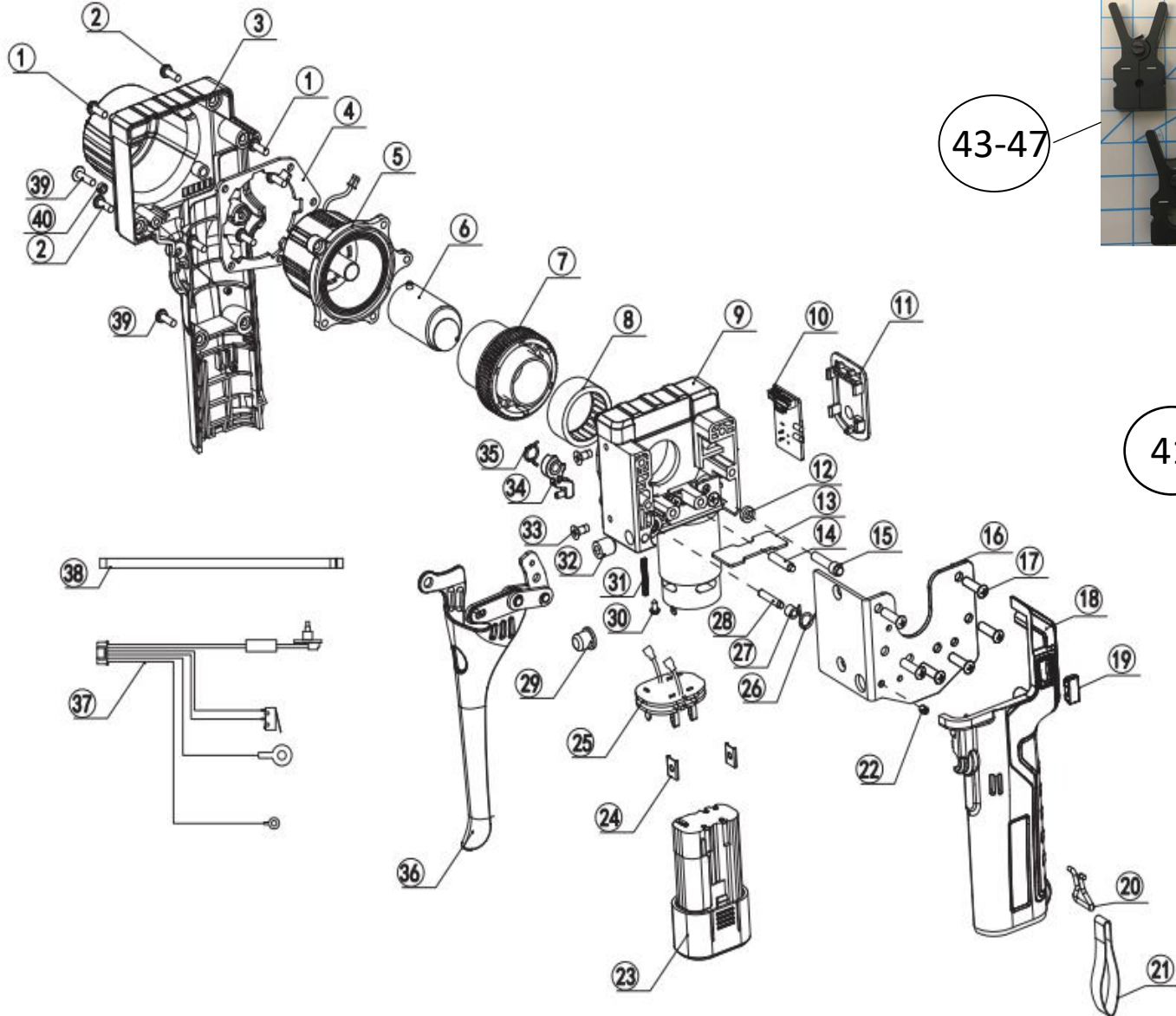


NEF6LM Parts Diagram



43-47



41



42



Ref No.	PART No.	Description
1	PNEF1	SCREW
2	PNEF2	SCREW
3	PNEF3	Right Cover
4	PNEF4	Plate
5	PNEF5	Chamber Assembly
6	PNEF6	Cone Assembly
6-1	PNEF6-1	Cone
7	PNEF7	Turbine Bushing
8	PNEF8	Bearing
9	PNEF9	Transmission Chamber
10	PNEF10	Circuit Board
11	PNEF11	Display Board
12	PNEF12	Bushing
13	PNEF13	Subplate
14	PNEF14	Stop Pin
15	PNEF15	Pin
16	PNEF16	Front Cover
17	PNEF17	Screw
18	PNEF18	Left Cover
19	PNEF19	LED Plate
20	PNEF20	Ring
21	PNEF21	Strap
22	PNEF22	Screw
24	PNEF24	Dead Plate
25	PNEF25	Circuit Board
26	PNEF26	Spring
27	PNEF27	Brushing
28	PNEF28	Pin
29	PNEF29	Button
30	PNEF30	Screw
31	PNEF31	Spring
32	PNEF32	Screw
33	PNEF33	Screw
34	PNEF34	Switch
35	PNEF35	Spring
36	PNEF36	Lever
37	PNEF37	Circuit
38	PNEF38	Wire
39	PNEF39	Screw
40	PNEF40	Bushing
23	NBF2	Battery Pack
41	NCF2	Charger
42	NFG1	Flare Gauge
43	PNEF43	1/4"Clamp
44	PNEF44	3/8"Clamp
45	PNEF45	1/2"Clamp
46	PNEF46	5/8"Clamp
47	PNEF47	3/4"Clamp
48	NAQC1	5/16"Clamp