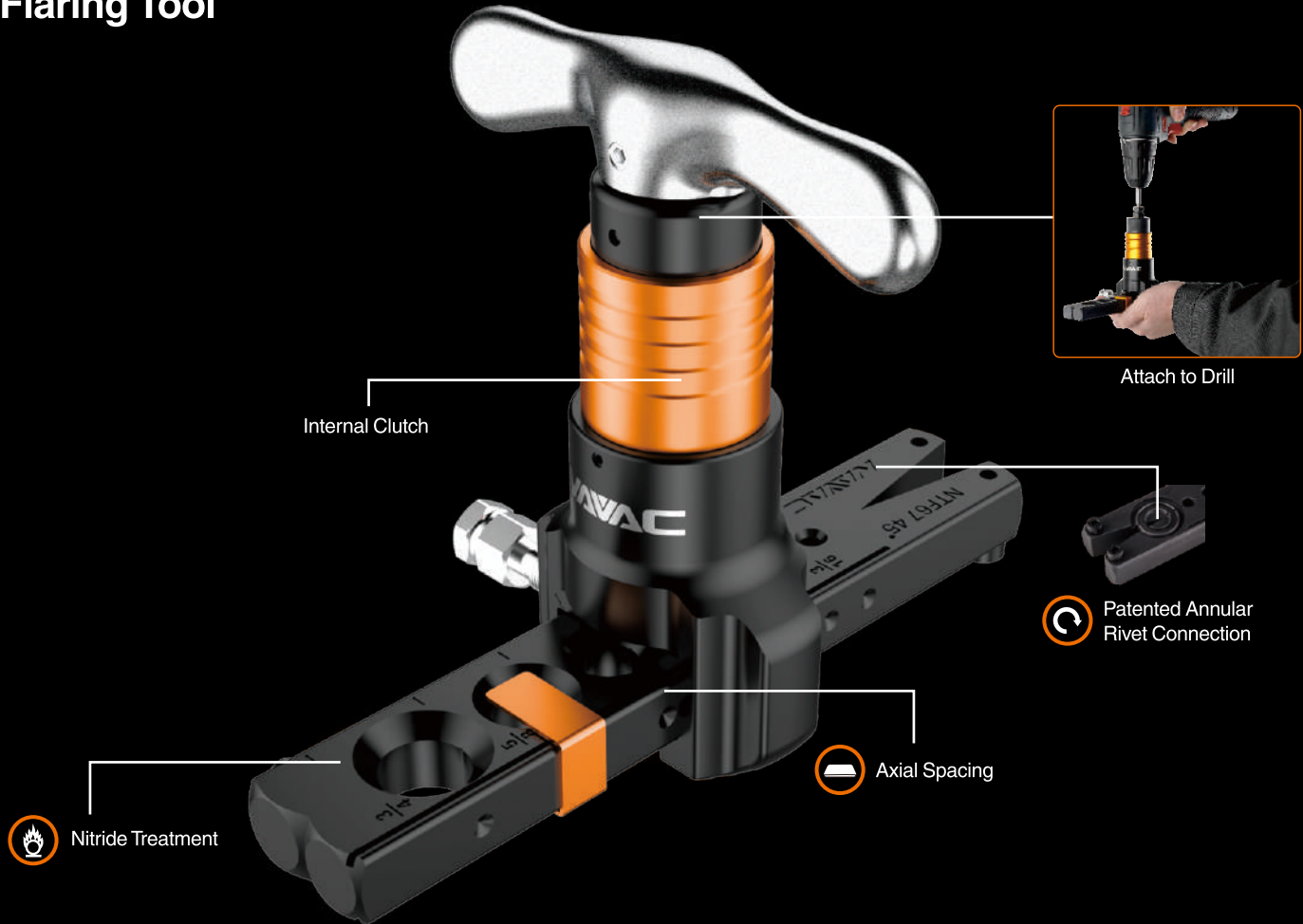




Empowering you to work smarter

NTF67D

Hand and Drill-Powered Flaring Tool



Accurate Flaring

Hand or Drill-Powered

- Efficient and labor-saving with drill attached

Axial Spacing

- Axial spacing for accurate and consistent flaring
- Eccentric cone with 45° flare

Nitride Treatment

- Longer service life
- Robust and durable

Patented Annular Rivet Connection

Internal Clutch

- Preventing over-torquing

Eccentric Cone

- 45° flare for R410A system



1



2



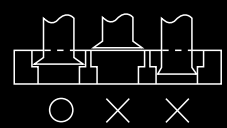
or



3



4



| | |
|-----------|--------------------------------------------|
| Model | NTF67D |
| Tube OD | 3/16", 1/4", 5/16", 3/8", 1/2", 5/8", 3/4" |
| Accessory | Carry Case, NFG1 Flare Gauge |

1-YEAR WARRANTY

www.navaaglobal.com