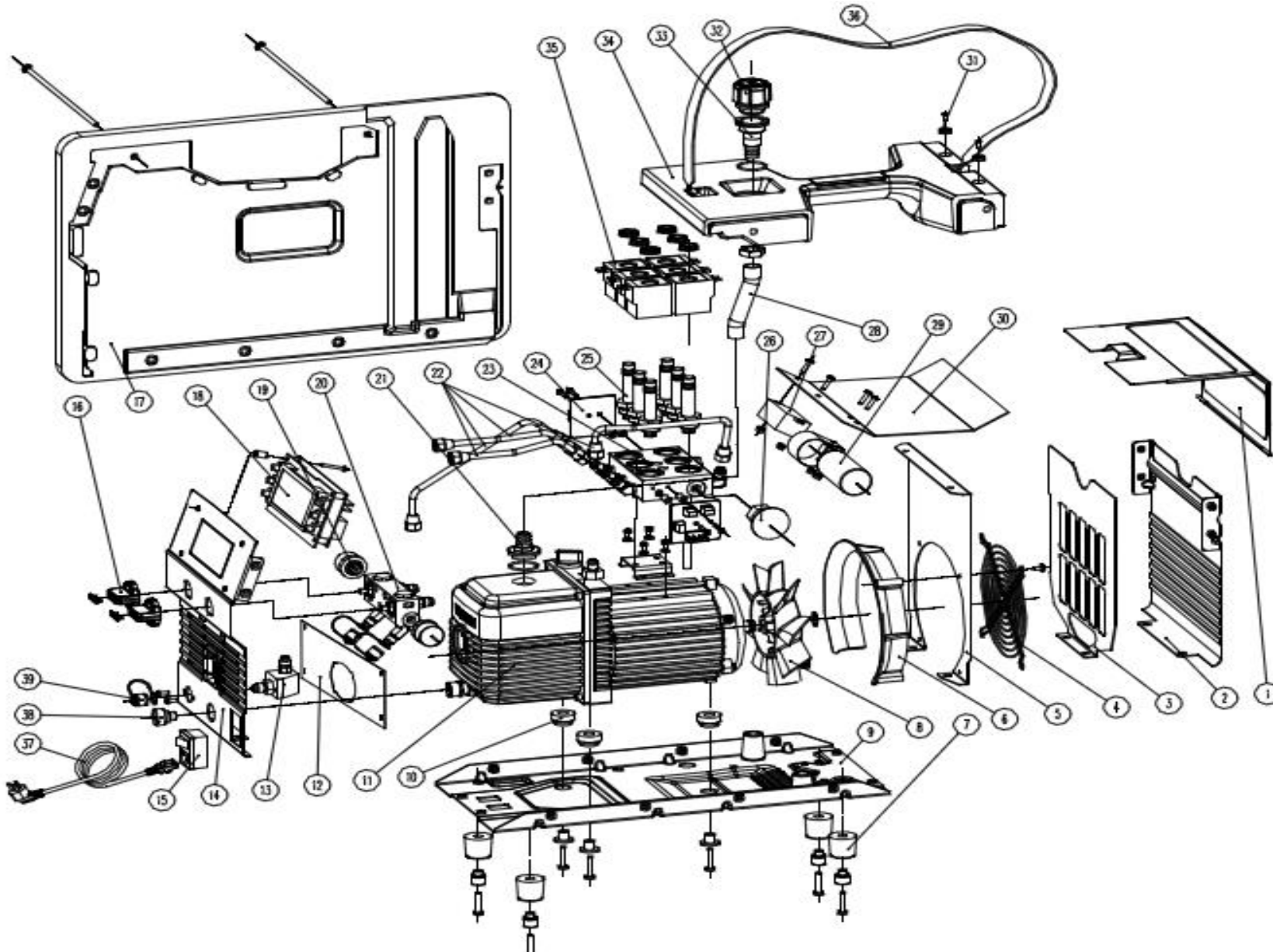


NRC62i Parts Diagram



| Ref No. | Part No. | Description |
|---------|----------|---------------------------------------|
| 1 | RC16001 | Cover Board |
| 2 | RC16002 | Back Board |
| 3 | RC16003 | Septum |
| 4 | RC16004 | Fan Protection Net |
| 5 | RC16005 | Septum |
| 6 | RC16006 | Wind Scooper |
| 7 | RC16007 | Rubber Feet |
| 8 | RC16008 | Fan |
| 9 | RC16009 | Base Plate Assy |
| 10 | RC16010 | Rubber Buffer |
| 11 | RC16011 | Vacuum Pump |
| 12 | RC16012 | Dustproof Screen |
| 13 | RC16013 | Non-Return Valve Assy |
| 14 | RC16014 | Front Plate Assy |
| 15 | RC16015 | Power Socket |
| 16 | RC16016 | Knob Assy |
| 17 | RC16017 | Left/Right Shell |
| 18 | RC16018 | Control Panel Assy |
| 19 | RC16019 | Pressure Sensor Assy |
| 20 | RC16020 | Check Valve Assy |
| 21 | RC16021 | Connecting Base |
| 22 | RC16022 | Copper Pipes Assy |
| 23 | RC16023 | Valve Body Assy |
| 24 | RC16024 | Solenoid Valve Connecting Plate |
| 25 | RC16025 | Iron Core Assy |
| 26 | RC16026 | Vacuum Sensor Assy |
| 27 | RC16027 | Electronic Starter |
| 28 | RC16028 | Oil Housing Conduit |
| 29 | RC16029 | Starting Capacitor |
| 30 | RC16030 | Plate |
| 31 | RC16031 | Magnet |
| 32 | RC16032 | Exhaust Filter and Noise Reducer Assy |
| 33 | RC16033 | Connecting Base |
| 34 | RC16034 | Handle Assy |
| 35 | RC16035 | Solenoid Valve Winding |
| 36 | RC16036 | Strap |
| 37 | RC16037 | Power Cord |
| 38 | RC16038 | Oil Drain Cap |
| 39 | RC16039 | Valve Cap Assy |