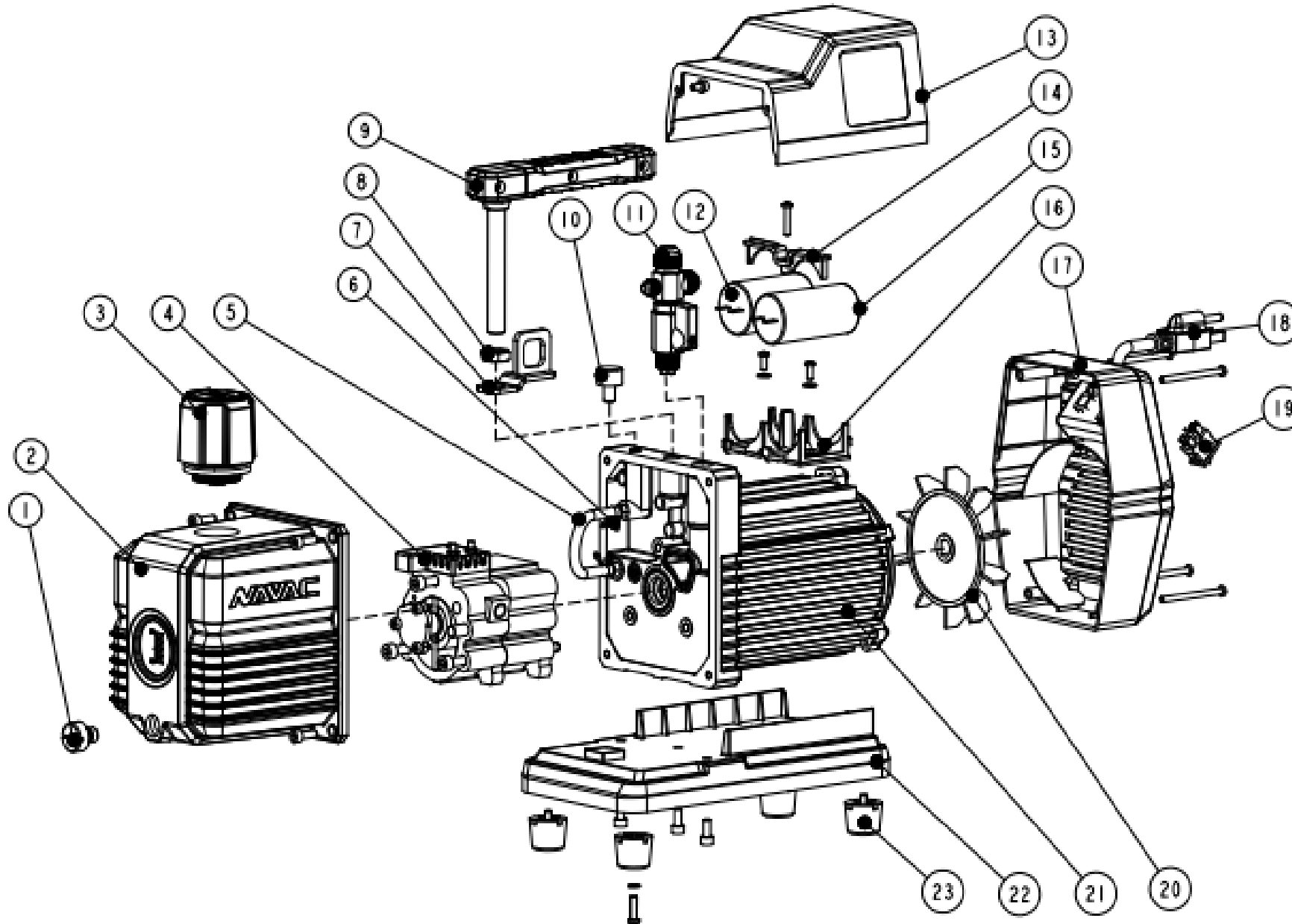


# NP4DP Parts Diagram



| Ref No.   | Part No. | Description               |
|-----------|----------|---------------------------|
| 1         | P040001  | Oil Drain Cap             |
| 2         | P040002  | Oil Sump                  |
| 3         | P040003  | Exhaust Filter            |
| 4         | P040004  | Pump Assy                 |
| 5         | P040005  | Rubber Tube               |
| 6         | P040006  | Jump Ring                 |
| 7         | P040007  | Hook                      |
| 8         | P040008  | Nut                       |
| 9         | P040009  | Handle                    |
| 10        | P040010  | Gas Ballast               |
| 11        | P040011  | Inlet Port                |
| 12        | P040012  | Running Capacitor         |
| 13        | P040013  | Top cover                 |
| 14        | P040014  | Capacitor Holder (top)    |
| 15        | P040015  | Start Capacitor           |
| 16        | P040016  | Capacitor Holder (bottom) |
| 17        | P040017  | Rear cover                |
| 18        | P040018  | Power Cord                |
| 19        | P040019  | Switch                    |
| 20        | P040020  | Fan Blade                 |
| 21        | P040021  | Motor                     |
| 22        | P040022  | Plate                     |
| 23        | P040023  | Rubber Feet               |
| Not Shown | NKR-4DP  | Pump Rebuild Kit          |